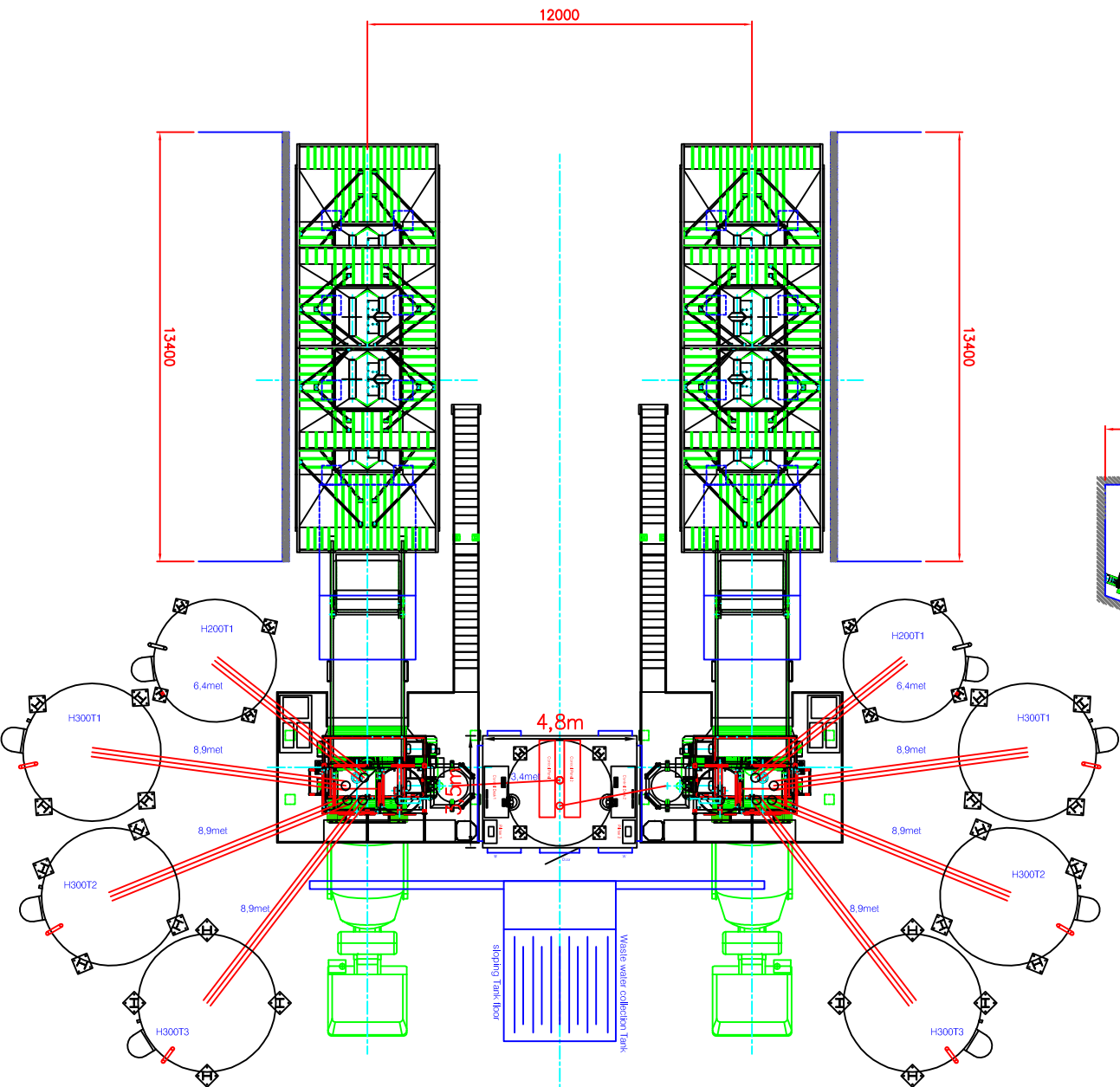
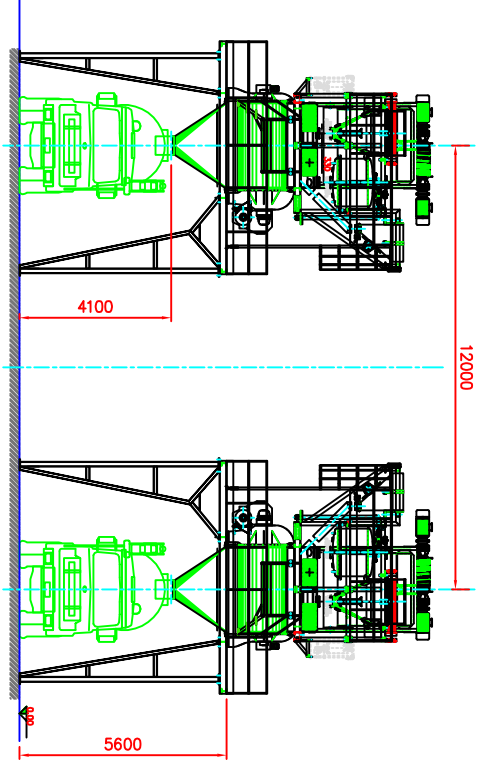
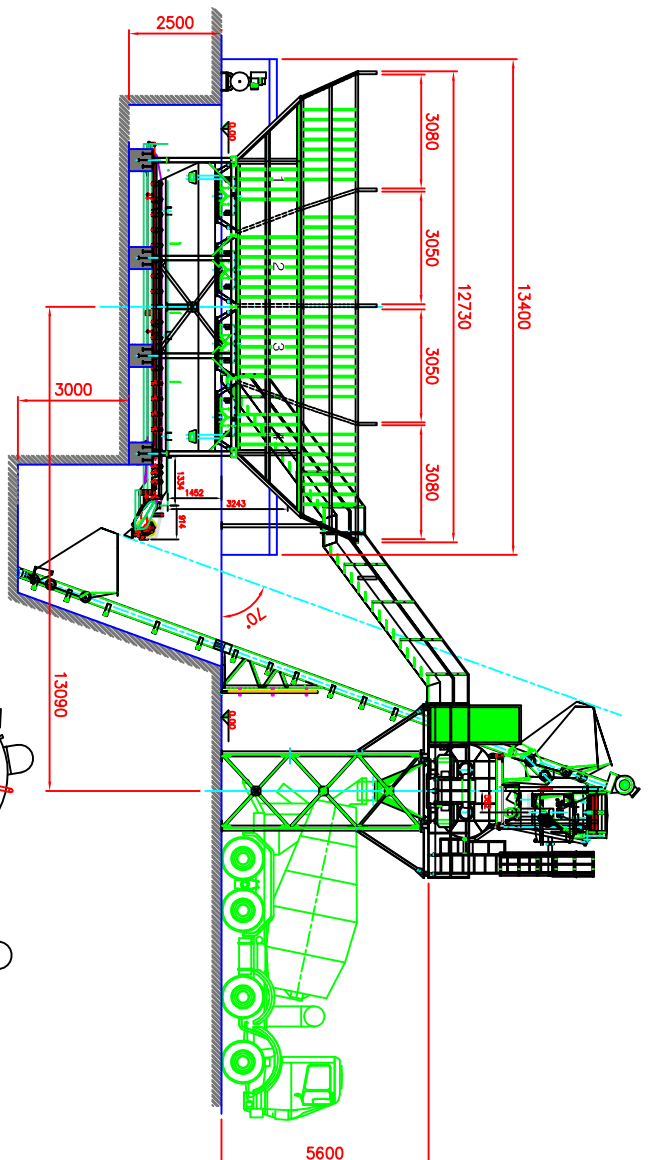
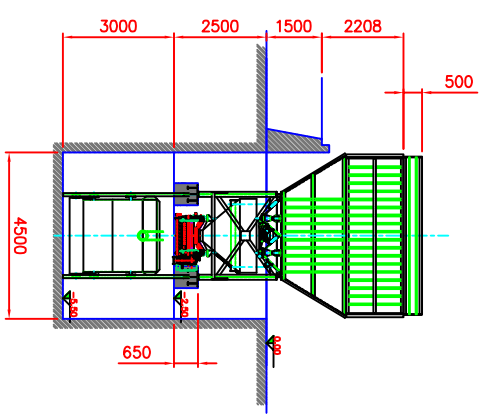


All civil works incl foundations base plates cable trays / trenches to be arranged by customer
Electricity & Water connection upto plant input points to be arranged by customer

Manufacturer specified on the foundation
structure. Skipper and movement of machinery
to be arranged by customer. All electrical
and water connection upto plant input points
to be arranged by customer. Design and
construction of the working of the
plant is at customer's charge.



PROPOSAL

Accepted By:	
Date & Seal	
COLOUR	RAL 5015

GERMAN PLANT EXPERIENCE

At the German Plant Experience
Tel: +973 46000000 Fax: +973 46000000
http://www.gpe.com/skipper and machinery

Company Name: **GPE**
Description: **GPE 120/4**
SKIP with MSH

Client: **Gulf Bendymix**
Project: **Doha, Qatar**
Site: **120/4**
Date: **120719/3**